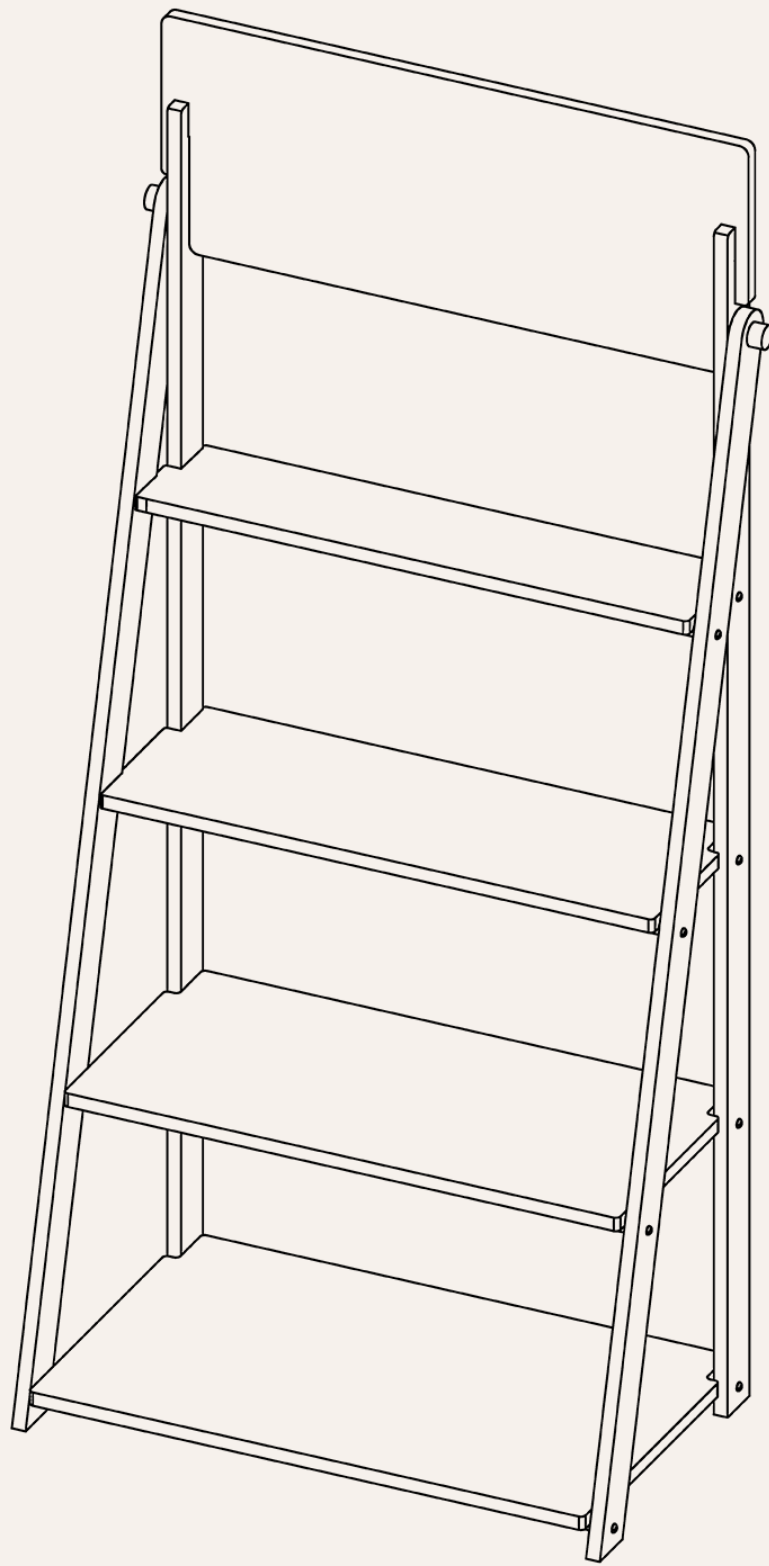


UNWIND COLLECTION



SKU: DBUSHLV
DBUSHLVCP

FLOOR STANDING SHELF DISPLAY WITH HEADER

USER GUIDE

DANDELION

RESPONSIBLY CREATING BETTER PRODUCTS FOR A BETTER WORLD

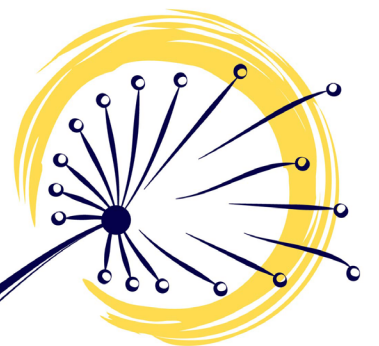
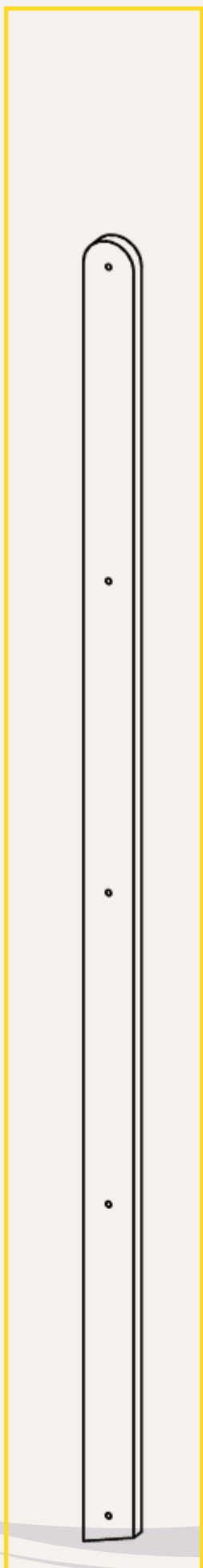
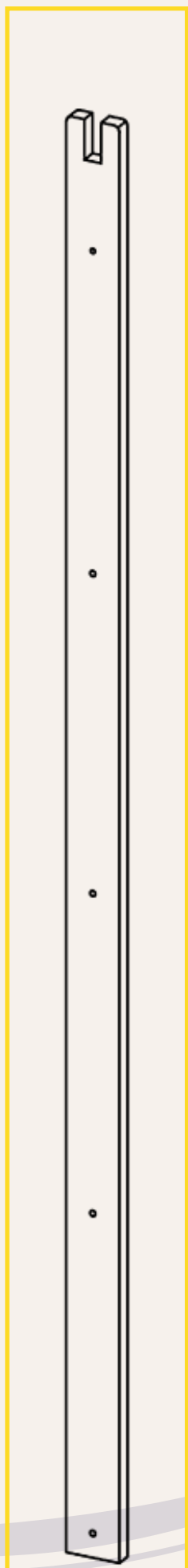


Table of Contents

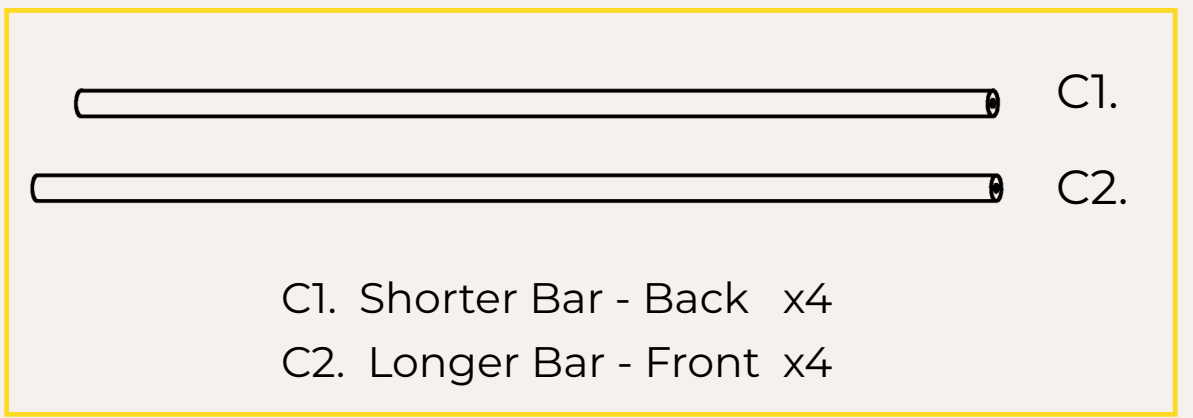
USER GUIDE



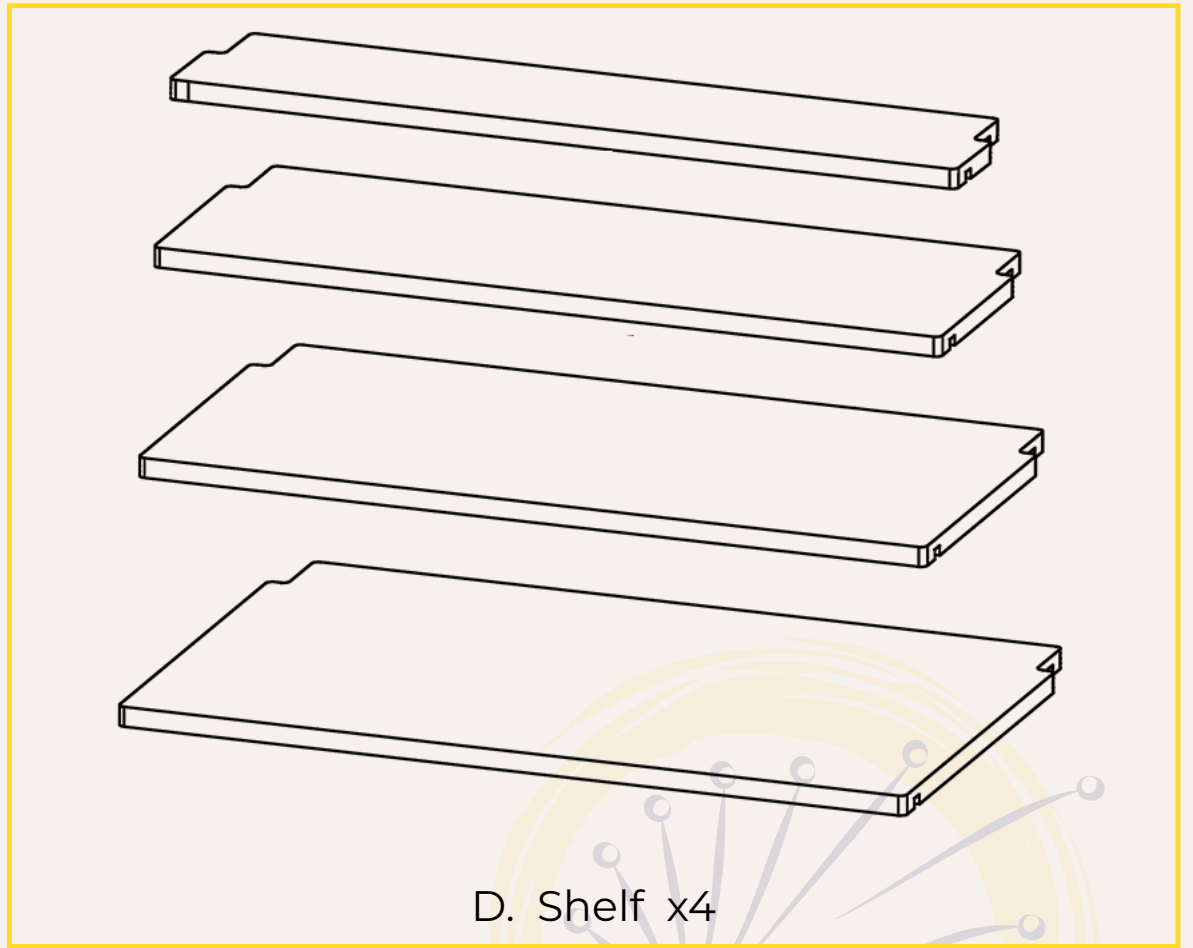
A. Front Legs x2



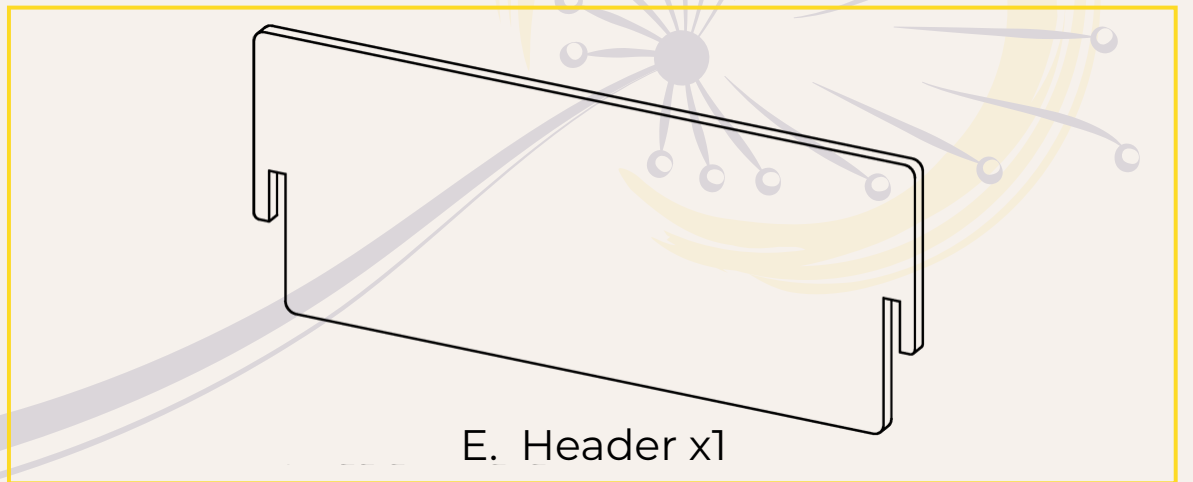
B. Back Legs x2



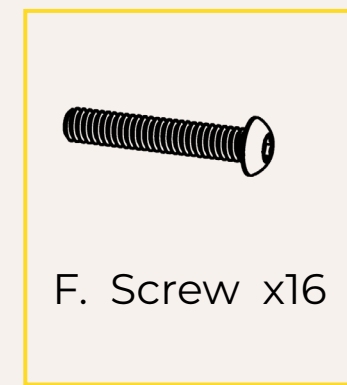
C1. Shorter Bar - Back x4
C2. Longer Bar - Front x4



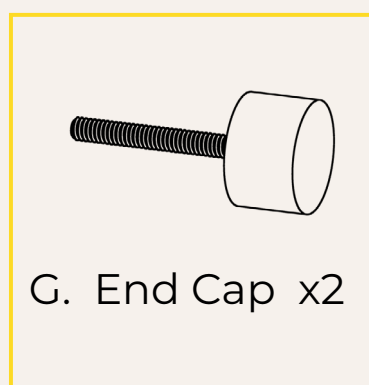
D. Shelf x4



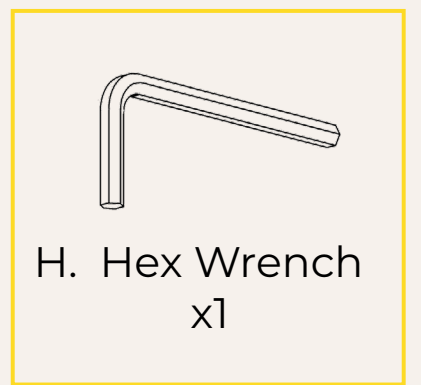
E. Header x1



F. Screw x16



G. End Cap x2

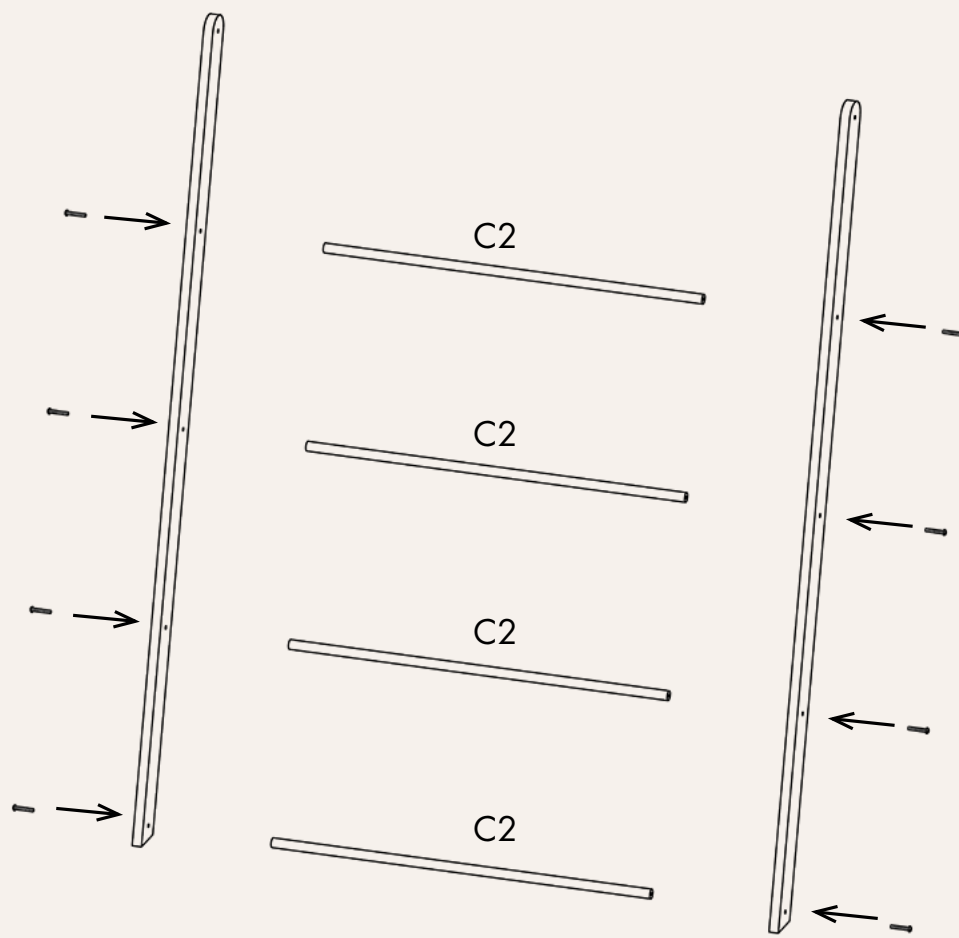


H. Hex Wrench x1

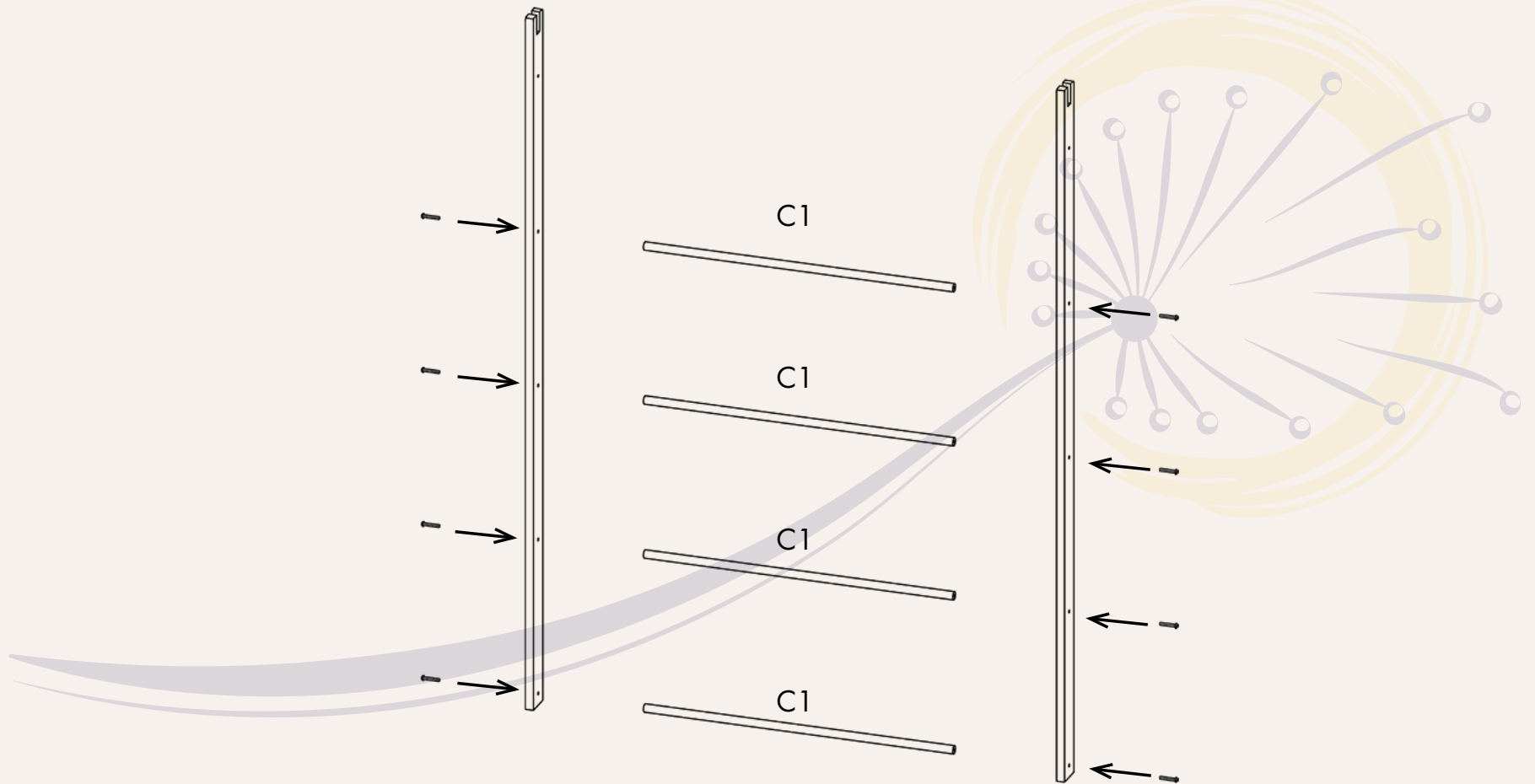
PARTS DIAGRAM

IMPORTANT!!

Identify the longer bars and the shorter bars needed for each step.



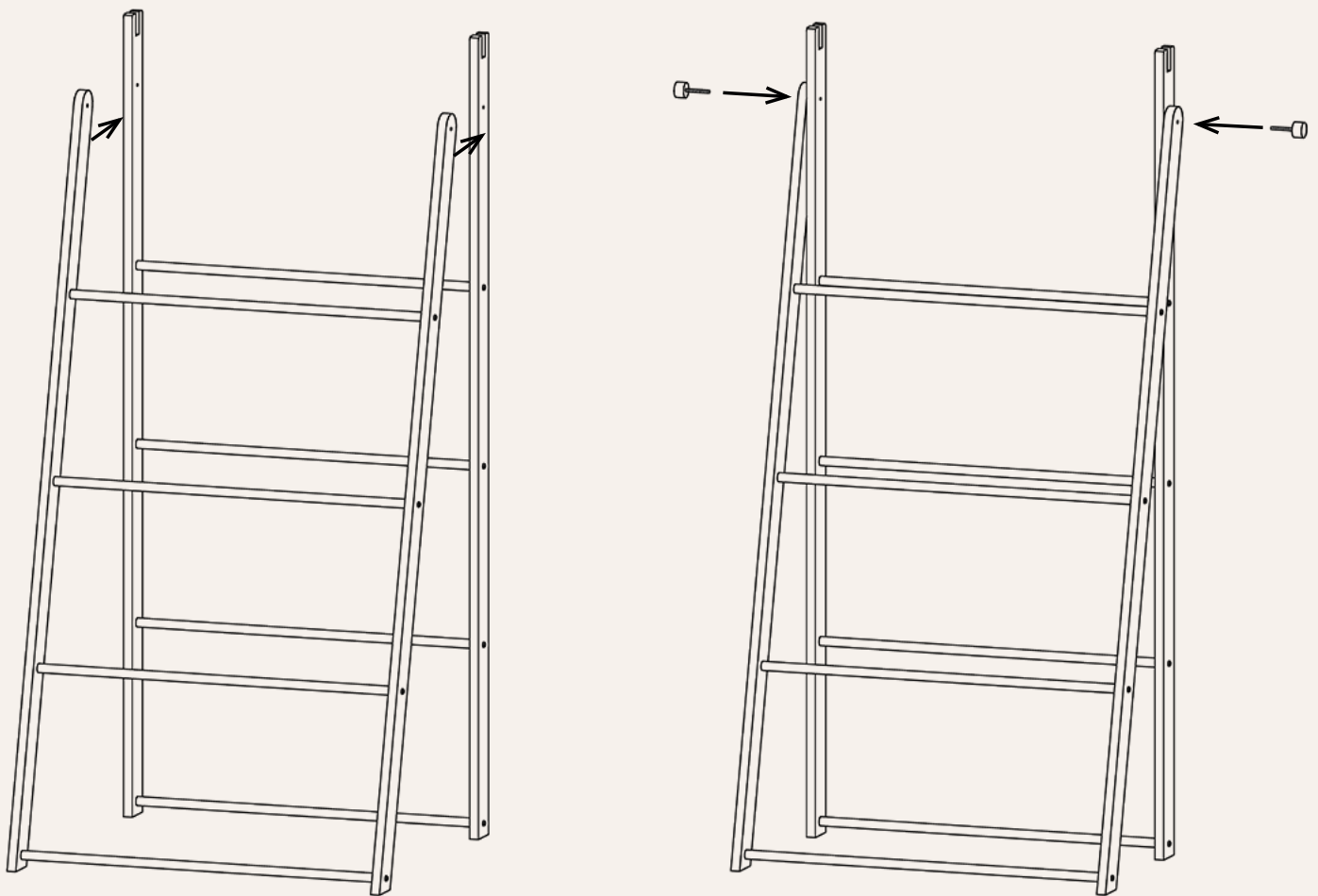
1. Connect 2 front legs (A) with 4 longer bars (C2) using 8 screws (F) and hex wrench (H).



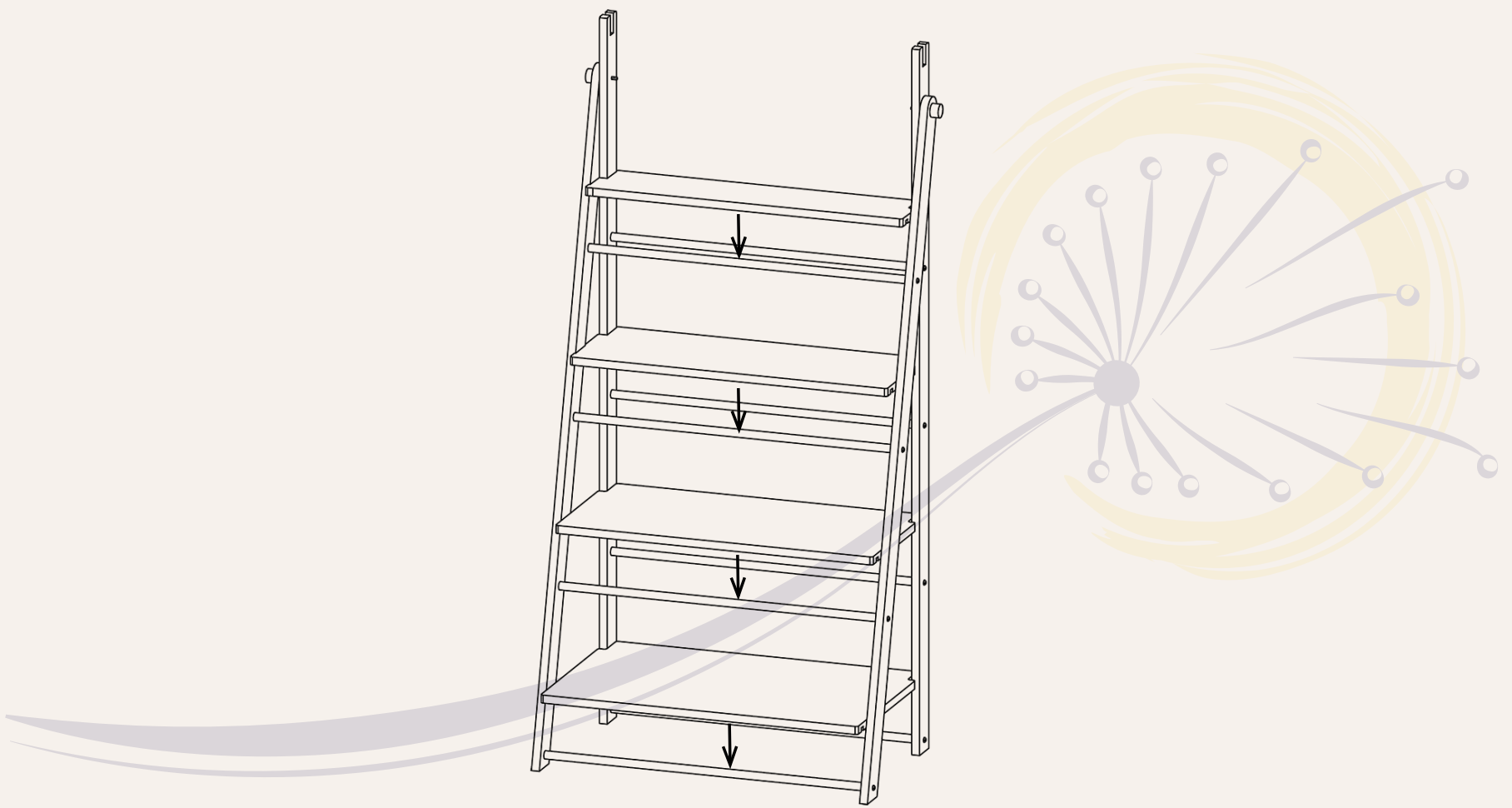
2. Connect 2 back legs (B) with 4 shorter bars (C1) using 8 screws (F) and hex wrench (H).

ASSEMBLY INSTRUCTIONS

4



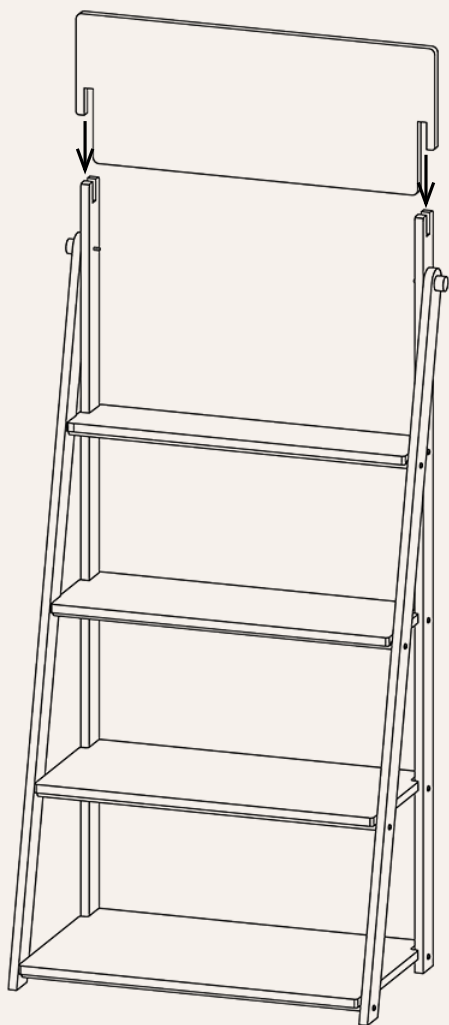
3. Align the holes at top on both frame and use end caps (G) to secure the shelf frame from both sides.



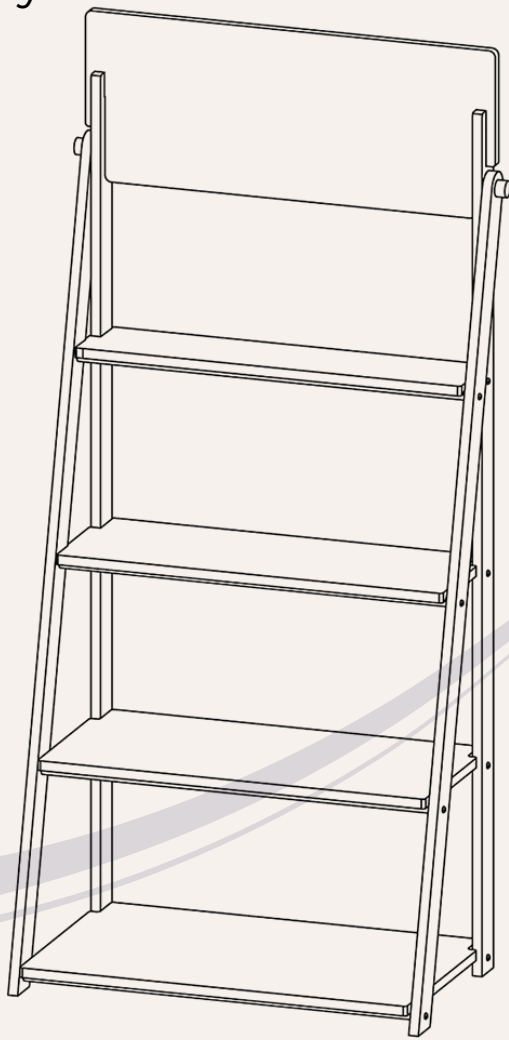
4. Place shelves (D) onto the supporting bars, one at a time.

ASSEMBLY INSTRUCTIONS

5



5. Attach the header (E) to the top of the frame. Press down to make sure the header fit securely. Use a rubber mallet (not included) as needed.

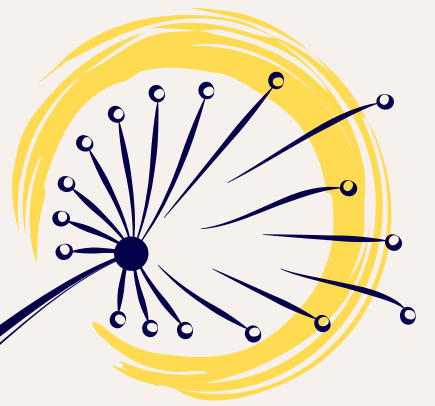


6. The assembly is finished.

ASSEMBLY INSTRUCTIONS

THANK YOU FOR SPREADING
THE SEEDS OF SUSTAINABILITY
AND HELPING TO PROTECT
OUR PLANET.

DANDELION



HAVE A QUESTION? GET IN TOUCH WITH
OUR DANDELION REPRESENTATIVES AT:
888-257-6639

CONTACT US

7